



## NS-208-IP67/NS-208PSE-IP67

Industrial 8-port Unmanaged IP67 Ethernet Switch

### Features

- Automatic MDI/MDI-X crossover for plug-and-play
- Store-and-forward architecture
- Each port supports both 10/100 Mbps speed auto negotiation
- Full duplex IEEE 802.3x and half duplex backpressure flow control
- Rugged RJ-45 connector for anti-vibration and shock
- Web GUI configuration and management
- IP67 grade protection approval
- 8 PoE ports with Power Sourcing Equipment (PSE) operation (NS-208PSE-IP67 series)
- Auto-detection of PD (powered devices) and automatic power management (NS-208PSE-IP67 series)
- Over-temperature, over-current and over/under-voltage detection (NS-208PSE-IP67 series)



### Introduction

The NS-208PSE-IP67/NS-208-IP67 is designed for industrial applications in harsh environments. The rugged RJ-45 ensures tight, robust connections, and guarantees reliable operation, even for applications that are subject to high vibration and shock.

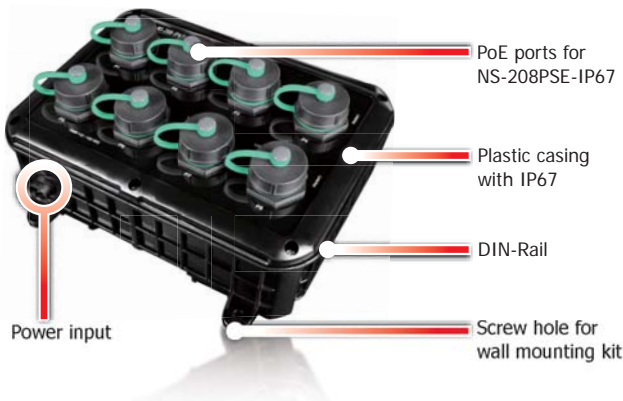
The NS-208PSE-IP67 PoE switch provides 8 fast Ethernet with 8 IEEE 802.3af compliant PoE ports. The switch is classified as power source equipment (PSE) and provide up to 15.4 W of power per port.

The Ethernet switch supports IEEE 802.3/802.3u/802.3x with 10/100M, full/half-duplex, MDI/MDI-X auto-sensing, and provides an economical solution for your industrial Ethernet network.

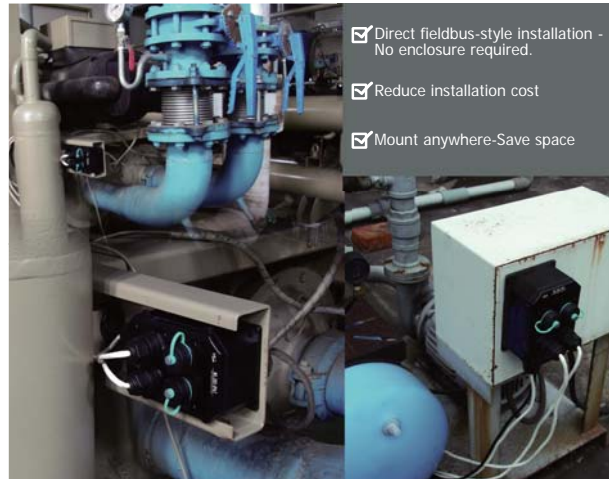
### Comparison Table of 5/8-port IP67 Ethernet Switch

Mode Name	NS-205-IP67	NS-208PSE-IP67	NS-208-IP67
PoE	-	802.3af x 8	-
Input Voltage Range	+10 VDC ~ +30 VDC (1 kV Isolated)	+46 VDC ~ +53 VDC	+12 VDC ~ +53 VDC
Installation	Wall Mounting		
Dimensions (W x L x H) (Unit: mm)	85 x 137 x 76	190 x 155 x 104	

### Appearance



### Applications



- Direct fieldbus-style installation - No enclosure required.
- Reduce installation cost
- Mount anywhere-Save space



## Specifications

Model	NS-208-IP67	NS-208PSE-IP67
<b>LED Indicators</b>		
Status	PWR, Link/Act	PWR, Link/Act , Power Device is detected
<b>Ethernet</b>		
Ports	8 x RJ-45, 10/100Base-TX	
Standards	IEEE 802.3, 802.3u, 802.3x, 10/100 Base-T(X) auto negotiation speed, F/H duplex mode, and auto MDI/MDI-X connection	
Processing Type	Store & forward; wire speed switching	
MAC Table	1024	
Memory Bandwidth	2 Gbps	
Frame Buffer Memory	512 Kbit	
Flow Control	IEEE 802.3x flow control, back pressure flow control	
Isolation	1500 Vrms 1 minute	
<b>PoE Technology</b>		
PoE Compliance	-	100% IEEE 802.3af compliant
PoE Power	-	Up to 15.4 watts per channel
PoE Operation	-	Automatic detection and power management
PoE Pin Assignments	-	V+ (Pin 1, 2), V- (Pin 3, 6)
PoE Disconnect Mode	-	DC disconnect
PoE Voltage	-	+46 ~ +48 VDC depending on power input
<b>Power</b>		
Reverse Polarity Protection	Yes	
Input Range	+12 ~ +53 VDC	+46 ~ +53 VDC for PoE output
Consumption	0.12 A @ 24 VDC	0.05 A @ 48 VDC without PD loading; 1.45 A @ 48 VDC with PD full loading
<b>Mechanical</b>		
Casing	Plastic	
Dimensions (mm)	DIN-rail mounting: 190 x 133 x 104 (W x L x H) Wall mounting: 190 x 155 x 104 (W x L x H)	
Installation	DIN-rail mounting or wall mounting	
Ingress Protection Rating	IP67 for Operating Temperature -10 °C ~ +60 °C IP66 for Operating Temperature -40 °C ~ +75 °C	
<b>Environment</b>		
Operating Temperature	-10 °C ~ +60 °C (Protection rating IP67) -40 °C ~ +75 °C (Protection rating IP66)	
Storage Temperature	-10 °C ~ +60 °C (Protection rating IP67) -40 °C ~ +75 °C (Protection rating IP66)	
Humidity	100% RH for Operating Temperature -10 °C ~ +60 °C 10% ~ 90% RH, non-condensing for Operating Temperature -40 °C ~ +75 °C	

# Industrial IP67 8-port Unmanaged Ethernet Switch

- NS-208-IP67
- NS-208PSE-IP67

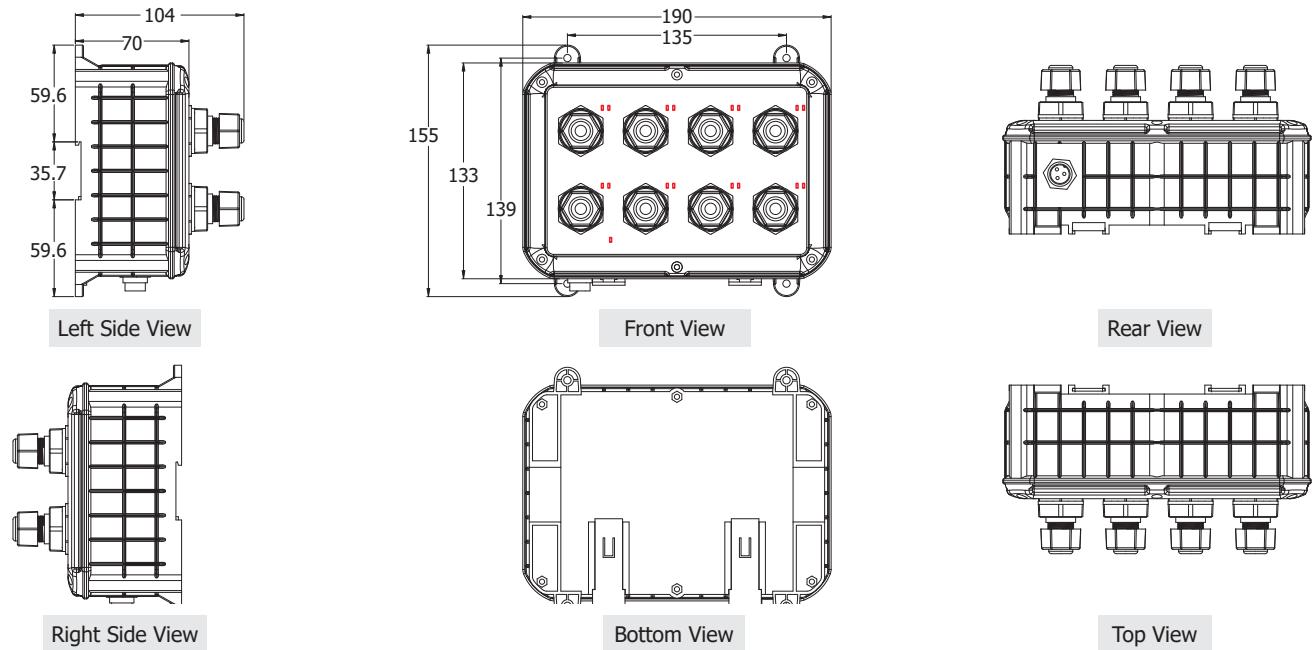
POE



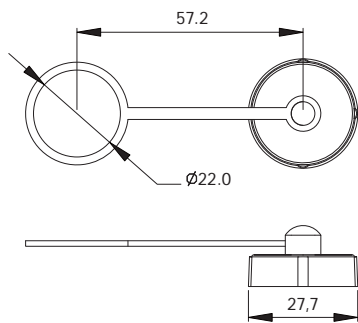
IP67 grade protection approval  
Rugged RJ-45 connector for anti-vibration and shock

## ■ Dimensions (Units: mm)

### NS-208PSE-IP67/NS-208-IP67

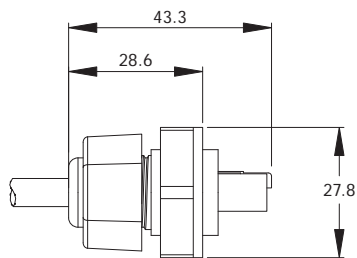


### IP67 Ethernet Cap with Tether



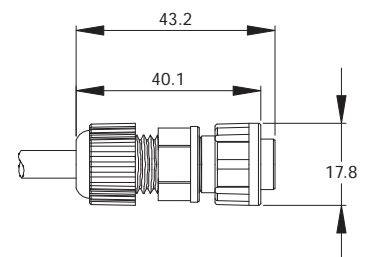
### IP67 Ethernet Plug

Cable Dia:  
Max. 7.0 mm  
Min. 5.5 mm



### IP67 PWR Plug

Cable Dia:  
Max. 6.5 mm  
Min. 5.0 mm



## ■ Ordering Information

<b>NS-208-IP67 CR</b>	Industrial 8-port unmanaged IP67 Ethernet switch (RoHS) Includes 4SASO-0001 (IP67 RJ-45 Plug) x 8, 4SASO-0004 (Cap with Tether) x 8 and 4SIO1K0000016 (IP67 Power Plug) x 1
<b>NS-208PSE-IP67 CR</b>	Industrial 8-port unmanaged IP67 Ethernet switch with PoE (RoHS) Includes 4SASO-0001 (IP67 RJ-45 Plug) x 8, 4SASO-0004 (Cap with Tether) x 8 and 4SIO1K0000016 (IP67 Power Plug) x 1

## ■ Accessories

<p>IP67 RJ-45 Plug</p> <p><b>4SASO-001</b></p>	<p>IP67 Power Plug</p> <p><b>4SIO1K0000016</b></p>	<p>Cap with Tether</p> <p><b>4SASO-0004</b></p>
--	--	---